

SHELDON
Vernon

July 1, 1946

Parts List

SHELDON
Vernon

No. "O"

HORIZONTAL MILLING MACHINE

SHELDON MACHINE CO. Inc.

*Manuf
Sheldon*

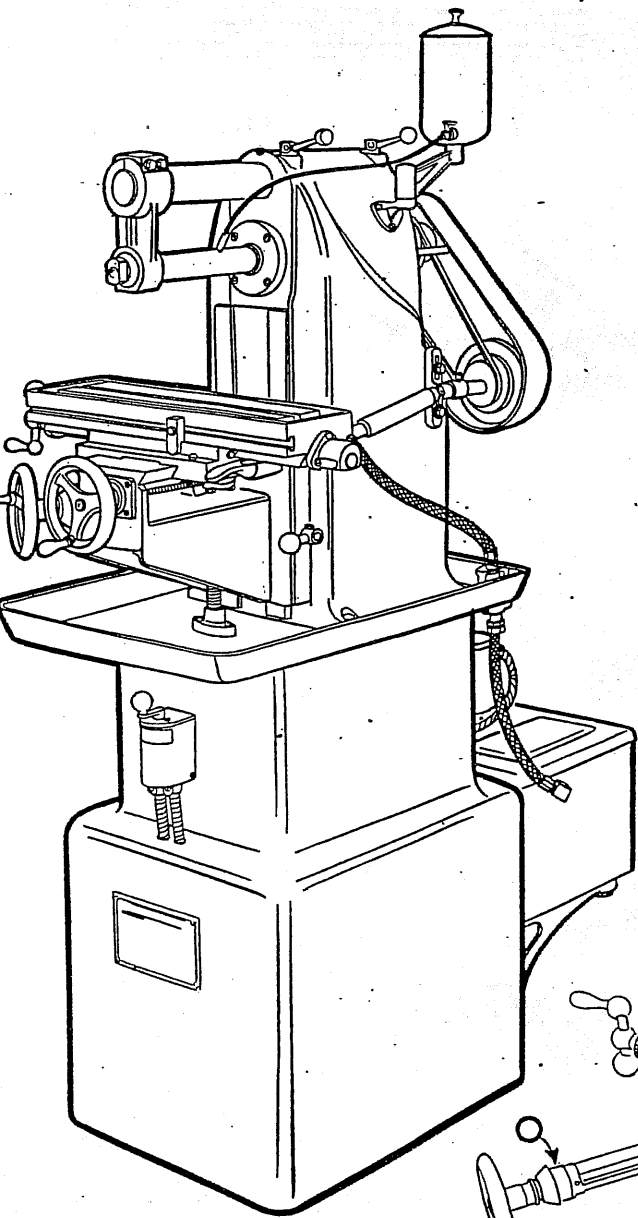
4258
TELEP

**NATIONAL ACME CO.
SHELDON MACHINE DIV.**

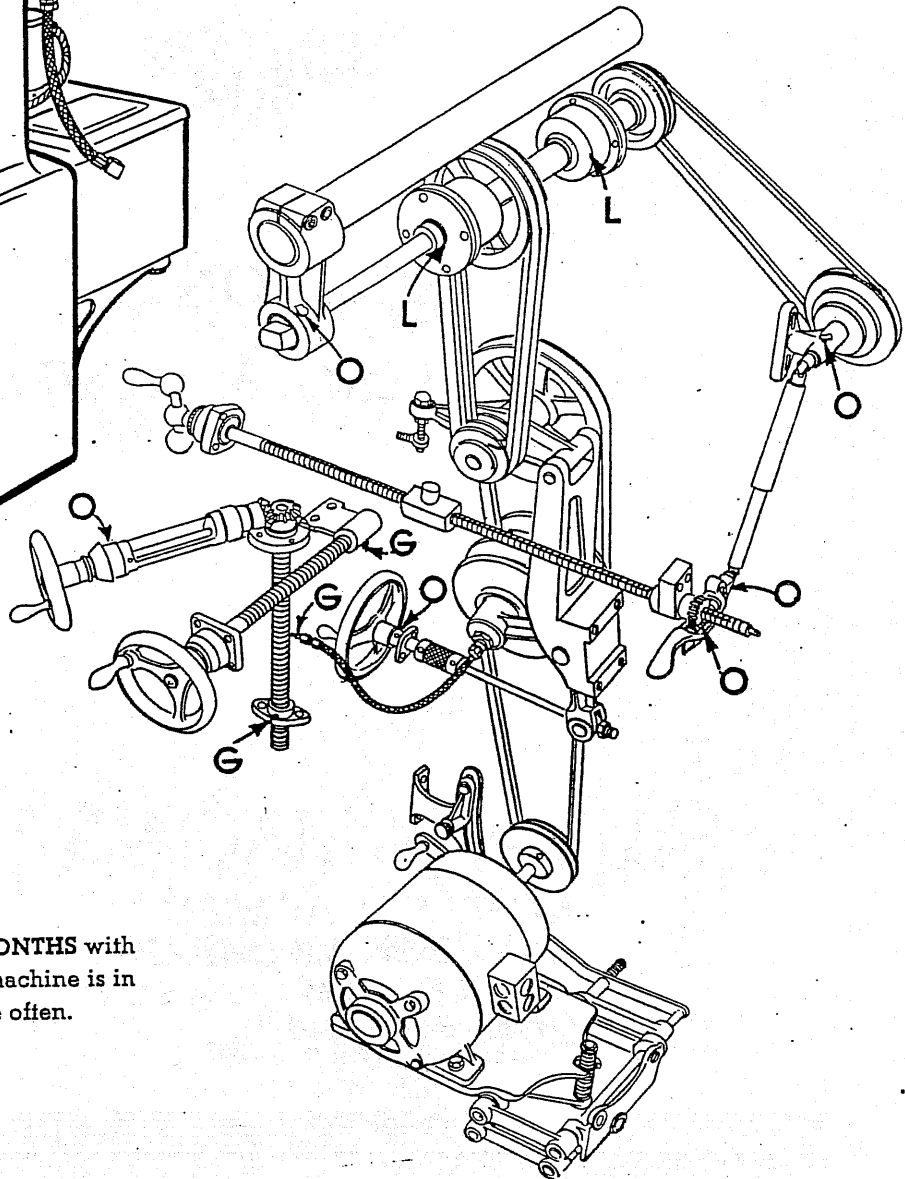
170 E. 131ST STREET
CLEVELAND, OHIO 44108
TELEPHONE: 1-800-553-2263
FAX: 1-216-268-1287

*Presses • Vises
Jig Boreers • Shapers*

NOIS, U. S. A.
SHELDONCO



LUBRICATION CHART

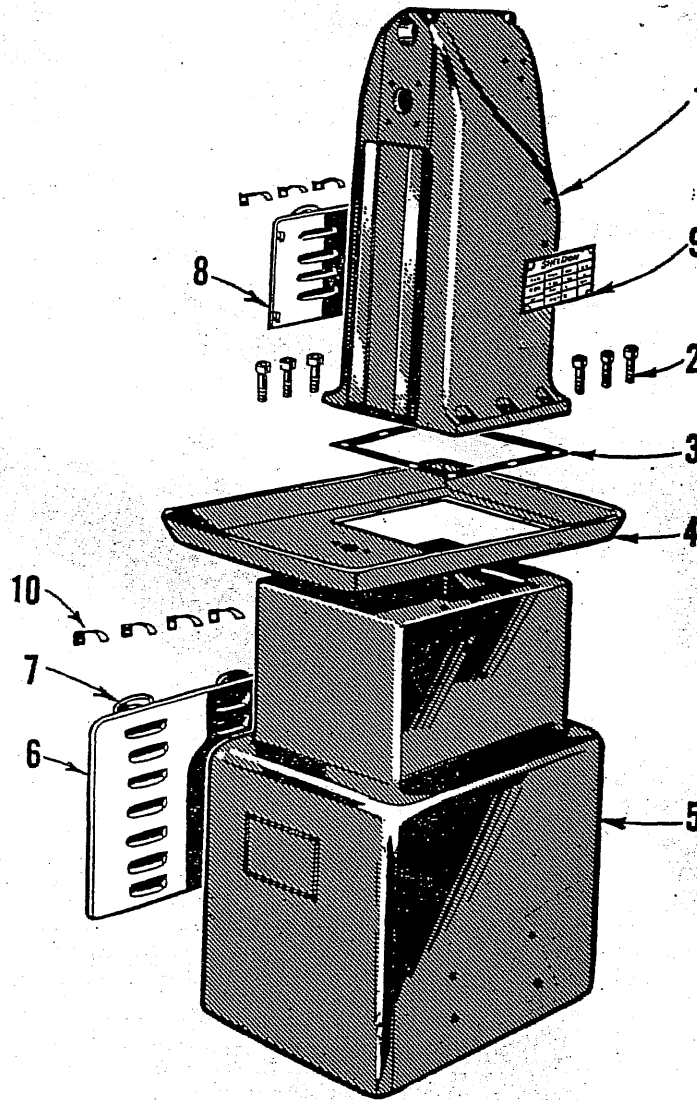


O—OIL DAILY

G—GREASE WEEKLY

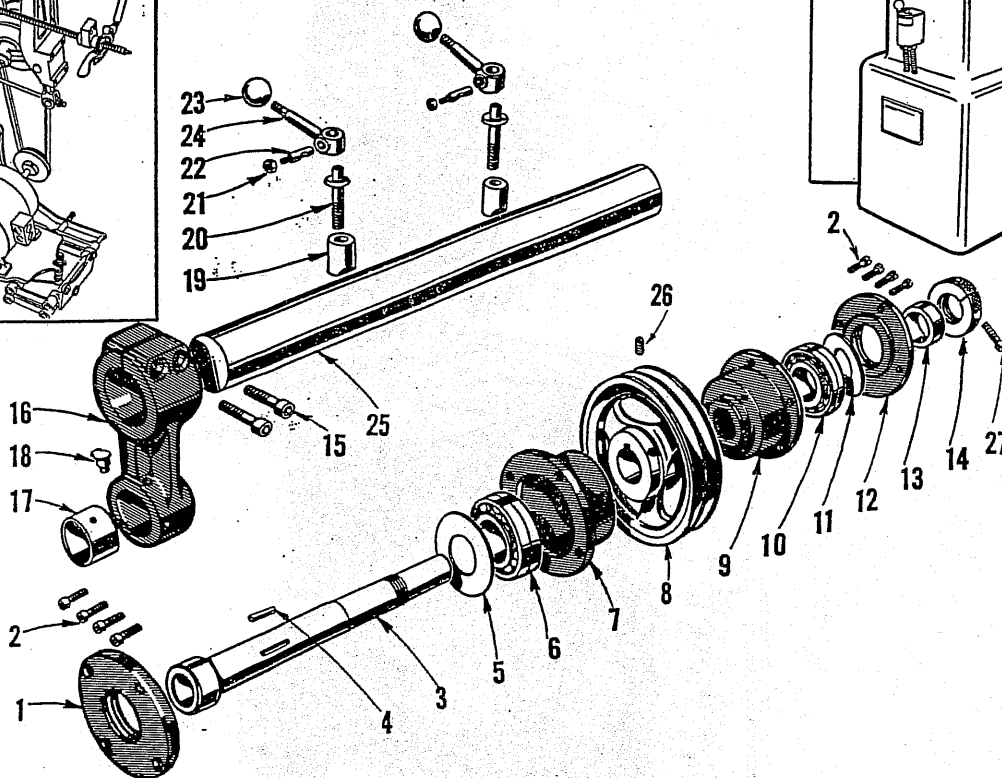
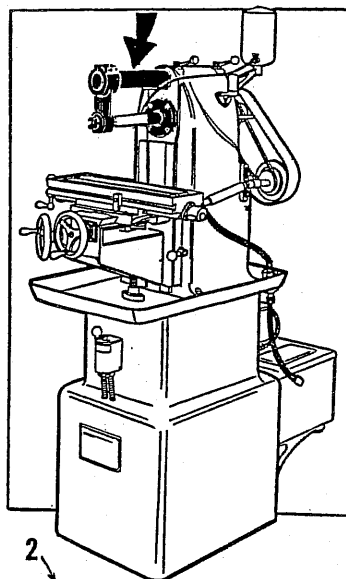
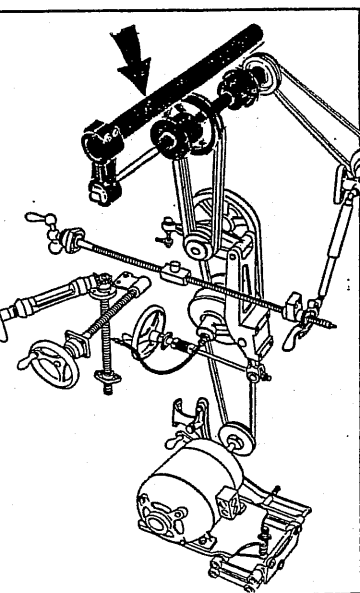
L—LUBRICATE EVERY SIX MONTHS with a good bearing grease. If machine is in constant use lubricate more often.

COLUMN AND BASE ASSEMBLY

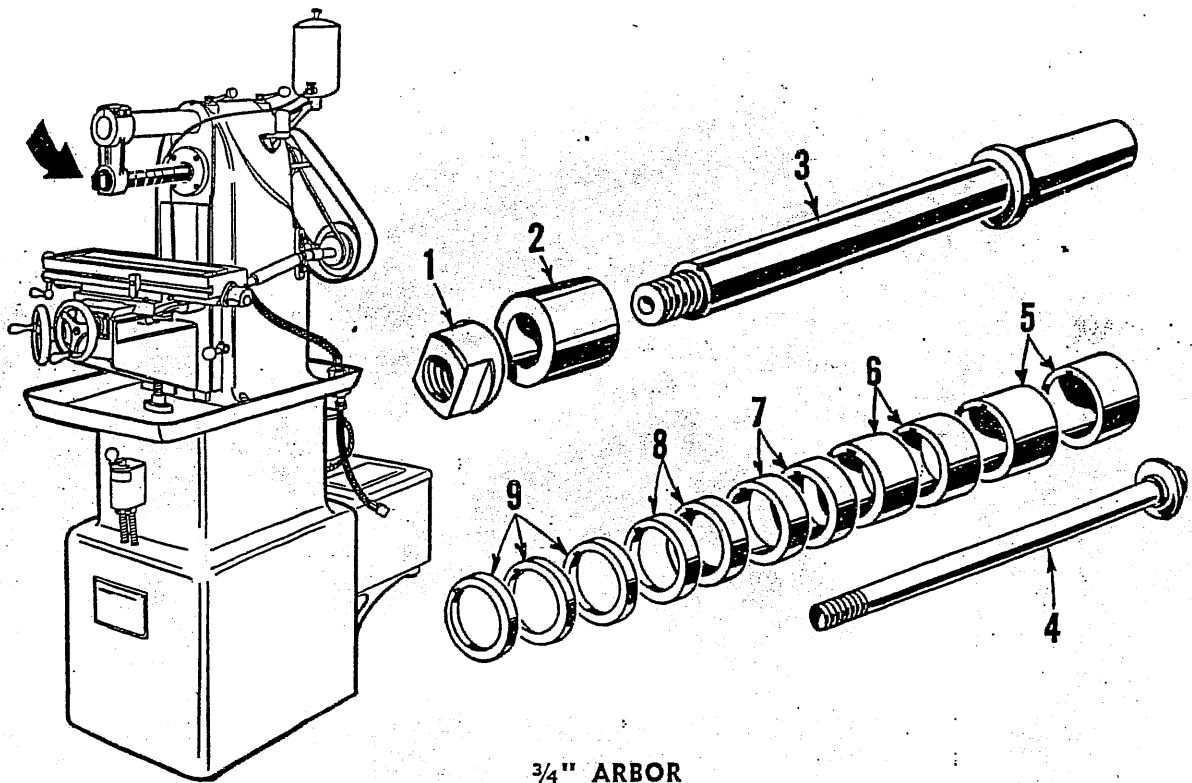


REF. No.	PART No.	QUAN.	DESCRIPTION	PRICE
1	3001	1	Column	\$200.00
2	A-429	6	Socket Head Cap Screw.....	.10
3	3001-1	1	Column Gasket45
4	3034	1	Chip Pan	10.00
5	3101	1	Pedestal	150.00
6	1002	1	Door	4.25
7	1004	3	Door Handle95
8	1001-1	1	Door	3.75
9	3001-5	1	Lubrication Chart95
10	1002-2	7	Spring Clip20

SPINDLE AND OVERARM ASSEMBLY



REF. No.	PART No.	QUAN.	DESCRIPTION	PRICE
1	3011	1	Bearing Closure	\$ 4.25
2	A-327	8	Socket Head Cap Screw.....	.10
3	3016	1	Spindle	38.50
4	3016-3	1	Spindle Key10
5	3014	1	Flinger (Front)	1.00
6	A-1134	1	Spindle Roller Bearing (Front).....	3.66
7	3012	1	Bearing Housing (Front)	10.25
8	3029	1	Spindle Pulley	9.65
9	3013	1	Bearing Housing (Rear)	10.25
10	A-1135	1	Spindle Roller Bearing	3.66
11	3015	1	Flinger (Rear)	1.00
12	3011	1	Bearing Closure	4.25
13	3016-2	1	Bearing Spacer	1.50
14	3016-1	1	Spindle Bearing Adjusting Nut	4.50
15	A-429	2	Socket Head Cap Screw10
16	3003	1	Overarm Bracket	15.00
17	3003-1	1	Overarm Bracket Bearing95
18	A-1001	1	Oil Cup10
19	3024-1	2	Overarm Clamp	1.25
20	3024	2	Overarm Lock Screw	1.25
21	A-118	2	Jam Nut10
22	1008-2	2	Pin75
23	M-721	2	Handle Ball15
24	1008-1	2	Handle	2.00
25	3002	1	Overarm	7.50
26	A-606	1	Set Screw10
27	A-428	1	Socket Head Cap Screw.....	.10



3/4" ARBOR

REF. No.	PART No.	QUAN.	DESCRIPTION	PRICE
1	9001-2	1	Arbor Nut	\$ 1.50
2	9001-3	1	Running Collar	5.00
3	9001-1	1	Arbor	25.00
4	9005-1	1	Draw Bar	5.00
5	9001-4	2	Arbor Collar, 1 1/2" long.....	.85
6	9001-5	2	Arbor Collar, 1" long.....	.65
7	9001-6	2	Arbor Collar, 1/2" long.....	.45
8	9001-7	2	Arbor Collar, 3/8" long.....	.40
9	9001-8	3	Arbor Collar, 1/4" long.....	.35

7/8" ARBOR

1	9002-2	1	Arbor Nut	\$ 1.50
2	9002-3	1	Running Collar	5.00
3	9002-1	1	Arbor	25.00
4	9005-1	1	Draw Bar	5.00
5	9002-4	2	Arbor Collar, 1 1/2" long.....	.90
6	9002-5	2	Arbor Collar, 1" long.....	.70
7	9002-6	2	Arbor Collar, 1/2" long.....	.50
8	9002-7	2	Arbor Collar, 3/8" long.....	.45
9	9002-8	3	Arbor Collar, 1/4" long.....	.40

1" ARBOR

1	9003-2	1	Arbor Nut	\$ 1.50
2	9003-3	1	Running Collar	5.00
3	9003-1	1	Arbor	25.00
4	9005-1	1	Draw Bar	5.00
5	9003-4	2	Arbor Collar, 1 1/2" long.....	.95
6	9003-5	2	Arbor Collar, 1" long.....	.75
7	9003-6	2	Arbor Collar, 1/2" long.....	.55
8	9003-7	2	Arbor Collar, 3/8" long.....	.50
9	9003-8	3	Arbor Collar, 1/4" long.....	.45

1 1/4" ARBOR

1	9004-2	1	Arbor Nut	\$ 1.50
2	9004-3	1	Running Collar	5.00
3	9004-1	1	Arbor	25.00
4	9005-1	1	Draw Bar	5.00
5	9004-4	2	Arbor Collar, 1 1/2" long.....	1.05
6	9004-5	2	Arbor Collar, 1" long.....	.85
7	9004-6	2	Arbor Collar, 1/2" long.....	.65
8	9004-7	2	Arbor Collar, 3/8" long.....	.60
9	9004-8	3	Arbor Collar, 1/4" long.....	.55

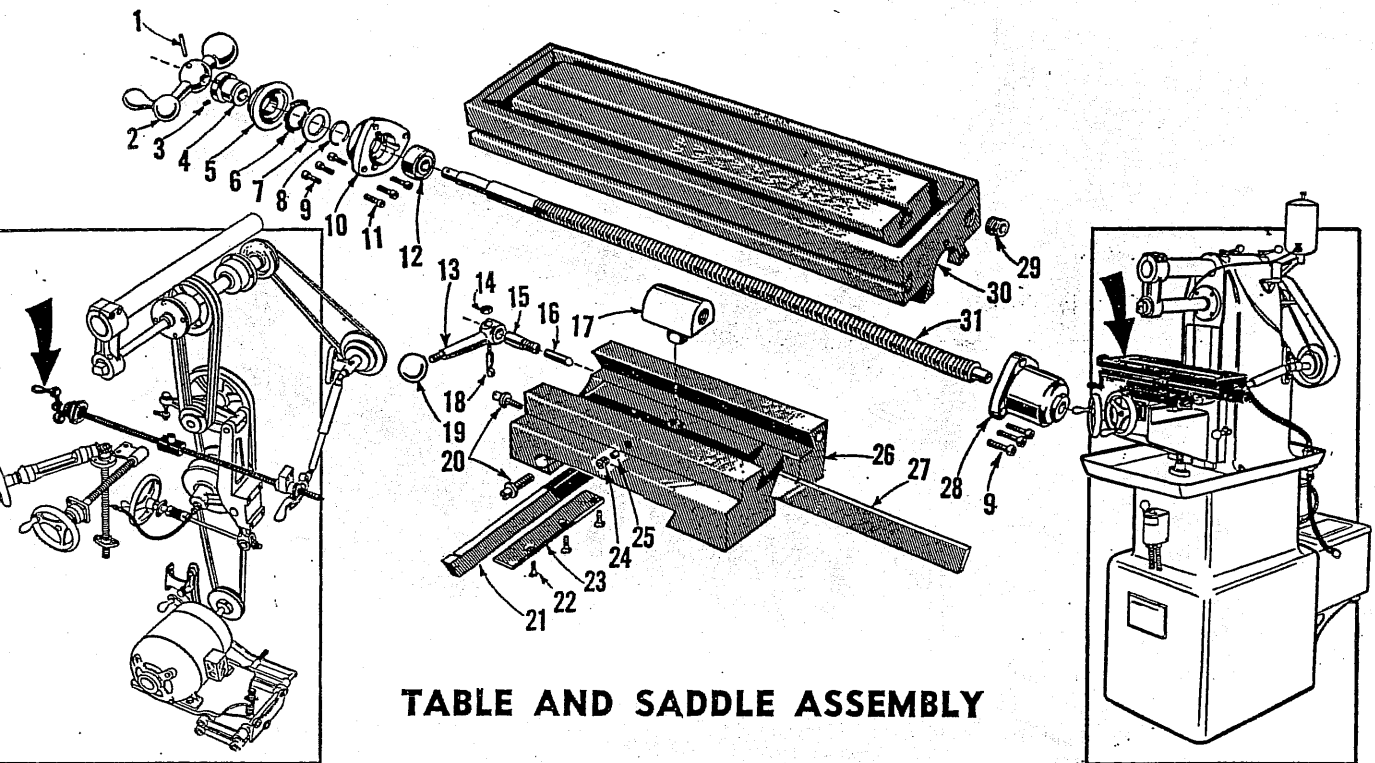
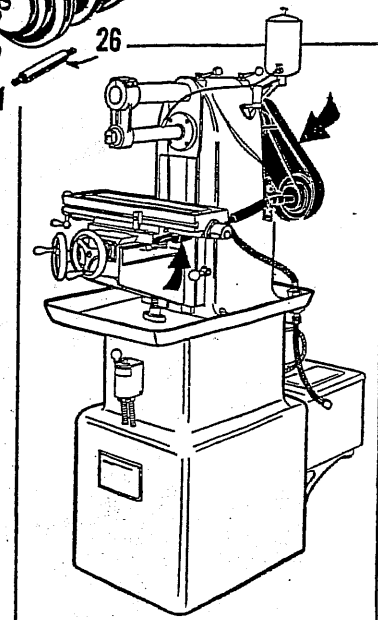
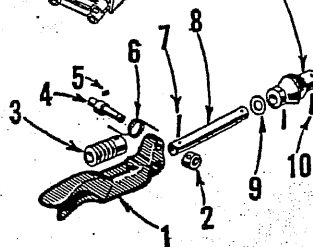
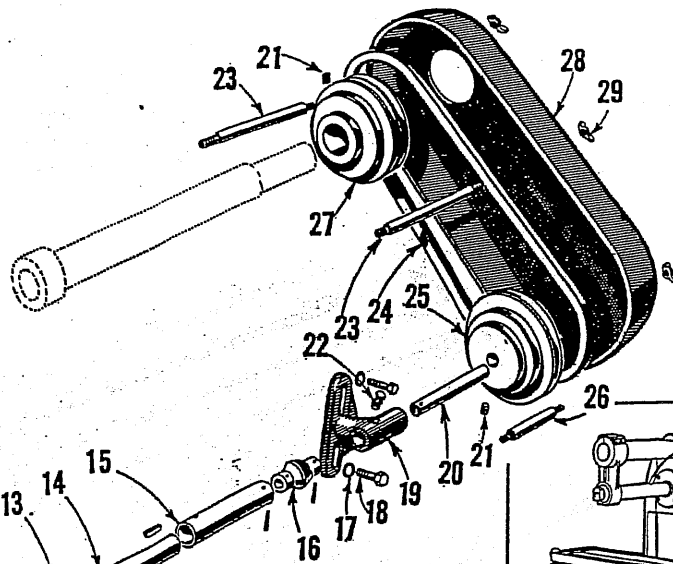
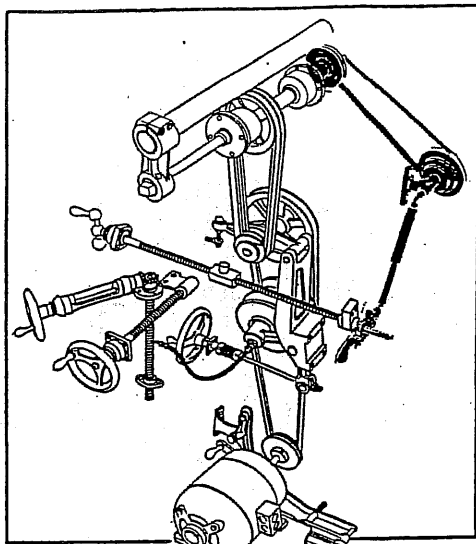


TABLE AND SADDLE ASSEMBLY

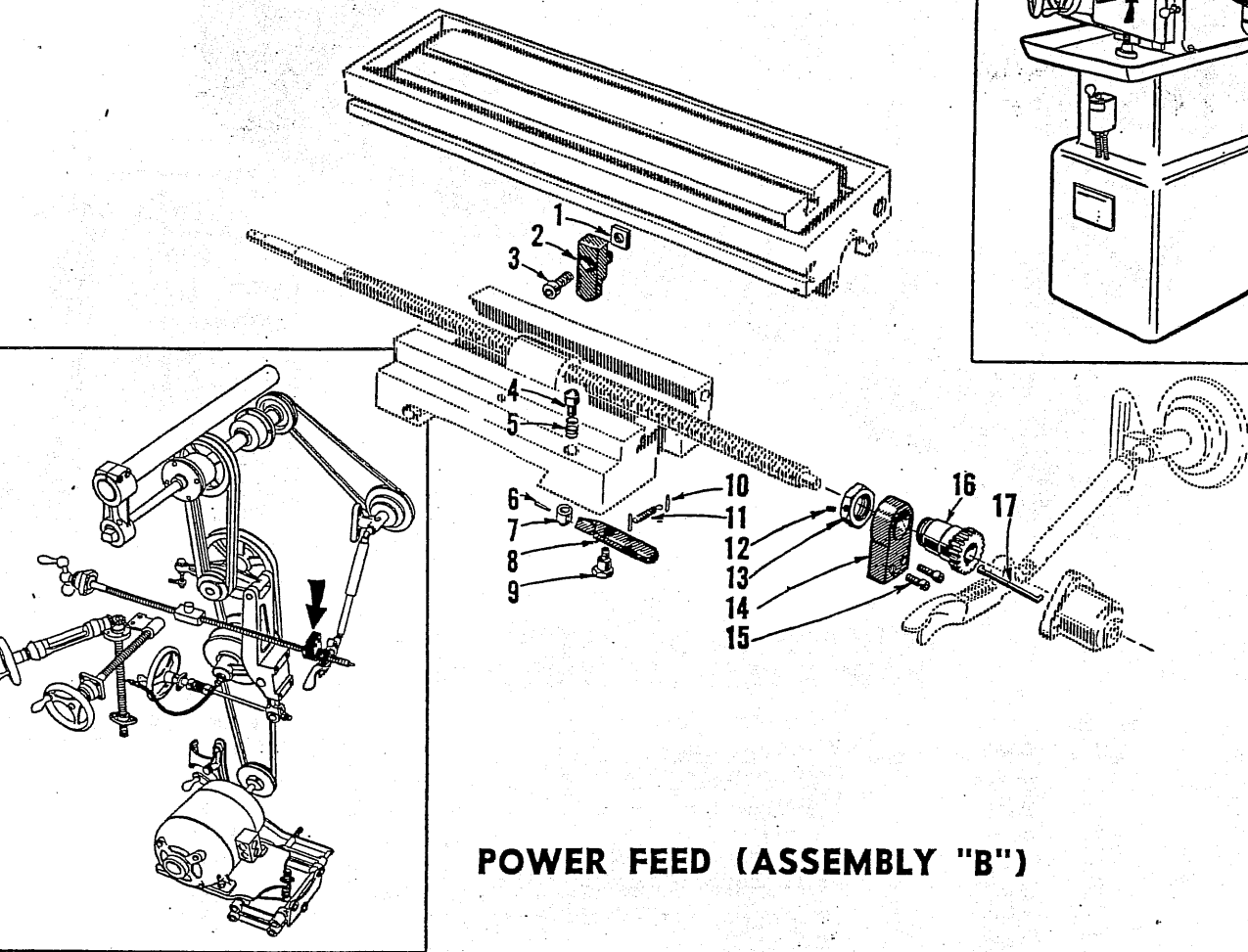
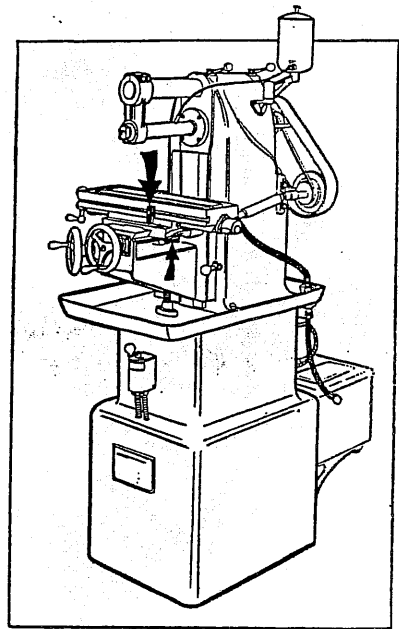
REF. No.	PART No.	QUAN.	DESCRIPTION	PRICE
1	A-817	1	Taper Pin	\$.10
2	1014	1	Ball Crank	2.50
3	A-646	1	Socket Head Set Screw.....	.10
4	1012-5	1	Dial Sleeve	7.50
5	1012-1	1	Dial	8.00
6	A-1112	1	Dial Spring10
7	3037	1	Dial Shim50
8	1012-3	1	Dial Snap Ring10
9	A-412	6	Socket Head Machine Screw.....	.10
10	3021	1	Longitudinal Pilot (Left)	5.00
11	A-419	3	Socket Head Cap Screw.....	.10
12	A-1123	1	Bearing	3.10
13	1008-1	1	Handle95
14	A-118	1	Jam Nut10
15	1038	1	Gib Lock Screw.....	.50
16	3032	1	Dutchman10
17	3019-1	1	Longitudinal Nut	7.50
18	1008-2	1	Pin	1.00
19	M-721	1	Handle Ball10
20	1009	2	Gib Screw50
21	3010	1	Tapered Gib*	6.50
22	A-430	3	Flat Head Machine Screw.....	.10
23	3009-1	1	Gib Retaining Plate	1.00
24	A-605	1	Socket Head Set Screw.....	.10
25	3033	1	Dutchman (Saddle to Knee).....	.10
26	3009	1	Saddle	60.00
27	3010	1	Tapered Gib*	6.50
28	3020	1	Longitudinal Pilot (Right).....	5.00
29	A-1963	1	Pipe Lug10
30	3006	1	Standard Table	75.00
31	3019	1	Longitudinal Screw	15.00

*NOTE: Replacement tapered gibs are of one length, semi-finished. They must be fitted to the dovetails, cut off to proper length, and grooved to receive the adjusting screw (No. 20.)



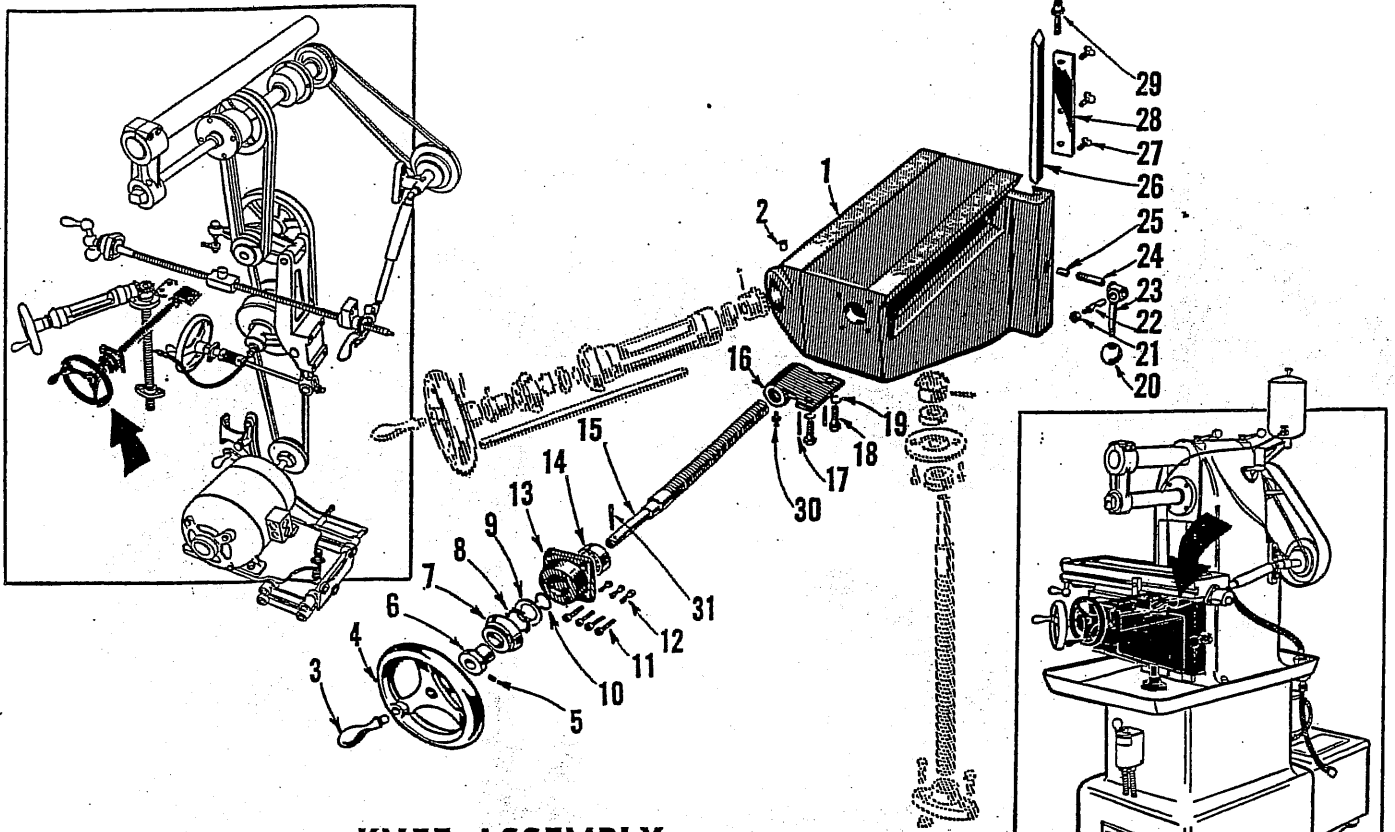
POWER FEED (ASSEMBLY "A")

REF. No.	PART No.	QUAN.	DESCRIPTION	PRICE
1	9010-3	1	Worm Housing	\$ 7.50
2	A-1917	1	Collar with Set Screw.....	.35
3	9010-1	1	Worm	6.50
4	9010-5	1	Worm Housing Pivot Pin.....	1.75
5	A-605	1	Socket Head Set Screw.....	.10
6	9010-4	1	Worm Housing Release Spring.....	.20
7	A-814	1	Taper Pin10
8	9010-2	1	Worm Shaft	1.00
9	9010-10	1	Thrust Washer25
10	A-816	4	Taper Pin10
11	9009-2	1	Universal Joint (Front)	6.00
12	9009-3	1	Telescope Drive Shaft.....	2.00
13	9009-6	2	Telescope Key50
14	9009-5	1	Telescope Drive Tube (Inner).....	4.00
15	9009-4	1	Telescope Drive Tube (Outer).....	4.50
16	9009-1	1	Universal Joint (Rear)	6.00
17	A-226	2	Lock Washer10
18	A-344	2	Hex. Head Cap Screw.....	.10
19	9008-4	1	Bracket	3.50
20	9008-3	1	Universal Cone Shaft	1.00
21	A-645	1	Socket Set Screw10
22	A-1015	1	Oiler15
23	9011-1	2	Guard Stud (Long)	1.00
24	A-1560	1	"V" Belt	1.15
25	9008-1	1	Universal Cone Pulley	7.50
26	9011-3	1	Guard Stud (Short)75
27	9008-2	1	Spindle Cone Pulley	8.50
28	9011-1	1	Drive Guard	4.50
29	A-127	3	Wing Nut10



POWER FEED (ASSEMBLY "B")

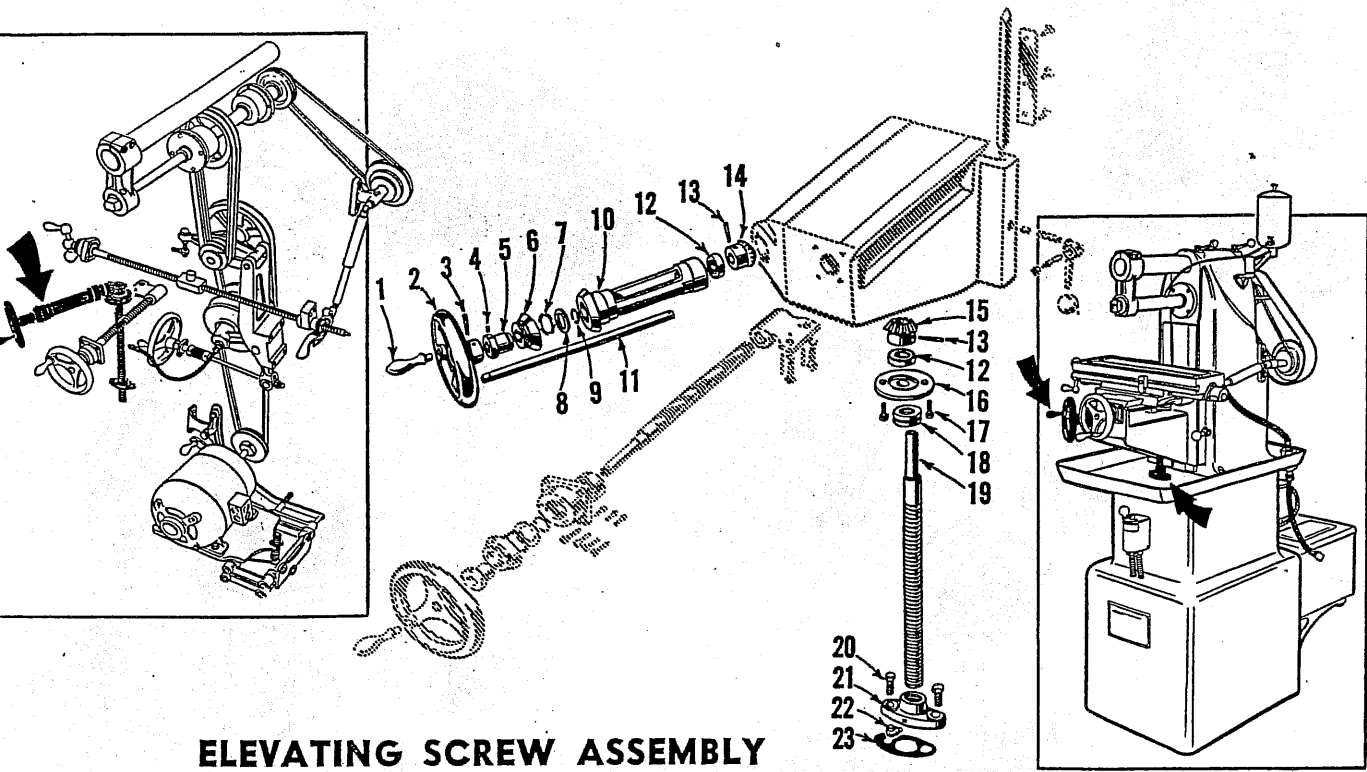
REF. No.	PART No.	QUAN.	DESCRIPTION	PRICE
1	3028-2	1	Back Plate	\$.75
2	3028-1	1	Longitudinal Stop	3.50
3	A-397	1	Socket Head Cap Screw.....	.10
4	9007-1	1	Plunger35
5	9007-5	1	Spring10
6	9007-7	1	Plunger Pin25
7	9007-6	1	Plunger Button75
8	9007-3	1	Latch	2.00
9	9007-2	1	Shoulder Screw50
10	A-872	2	Drive Stud10
11	9007-4	1	Latch Spring10
12	A-646	1	Socket Head Set Screw.....	.10
13	9010-9	1	Worm Wheel Nut50
14	9010-8	1	Worm Wheel Bracket	3.00
15	A-379	2	Socket Head Cap Screw10
16	9010-6	1	Worm Wheel	7.50
17	9010-7	1	Worm Wheel Key35



KNEE ASSEMBLY

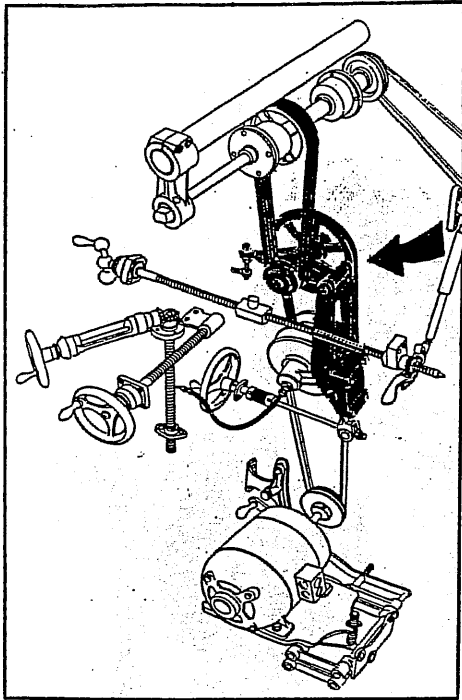
REF. No.	PART No.	QUAN.	DESCRIPTION	PRICE
1	3004	1	Knee	\$200.00
2	A-1019	1	Oil Hole Cover10
3	A-1950	1	Machine Handle95
4	1005	1	Handwheel	3.50
5	A-646	1	Socket Head Set Screw.....	.10
6	1012-4	1	Dial Sleeve	7.50
7	1012-1	1	Dial	8.00
8	A-1112	1	Dial Spring10
9	3037	1	Dial Shim50
10	1012-3	1	Dial Snap Ring10
11	A-412	4	Socket Head Cap Screw.....	.10
12	A-419	3	Socket Head Cap Screw.....	.10
13	3022	1	Pilot-Cross Feed	6.50
14	A-1121	1	Bearing	3.20
15	3018-1	1	Cross Feed Screw	10.00
16	3018-2	1	Cross Feed Saddle Bracket.....	7.50
17	A-881	2	Dowel Pin10
18	A-347	2	Hex Head Cap Screw.....	.10
19	A-226	2	Lock Washer10
20	M-721	1	Ball for Handle15
21	A-118	1	Jam Nut10
22	1008-2	1	Pin75
23	1008-1	1	Handle	2.00
24	1038	1	Gib Lock Screw75
25	3036	1	Knee to Column Dutchman.....	.10
26	3010	1	Tapered Gib*	6.50
27	A-430	3	Flat Head Machine Screw.....	.10
28	3009-1	1	Gib Retaining Plate	1.00
29	1009	1	Gib Adjusting Screw50
30	A-1009	1	Grease Fitting10
31	A-817	1	Taper Pin10

NOTE: *Replacement tapered Gibs are of one length, semi-finished. They must be fitted to the Dovetails, cut off to proper length, and grooved to receive the adjustment screw No. 29.

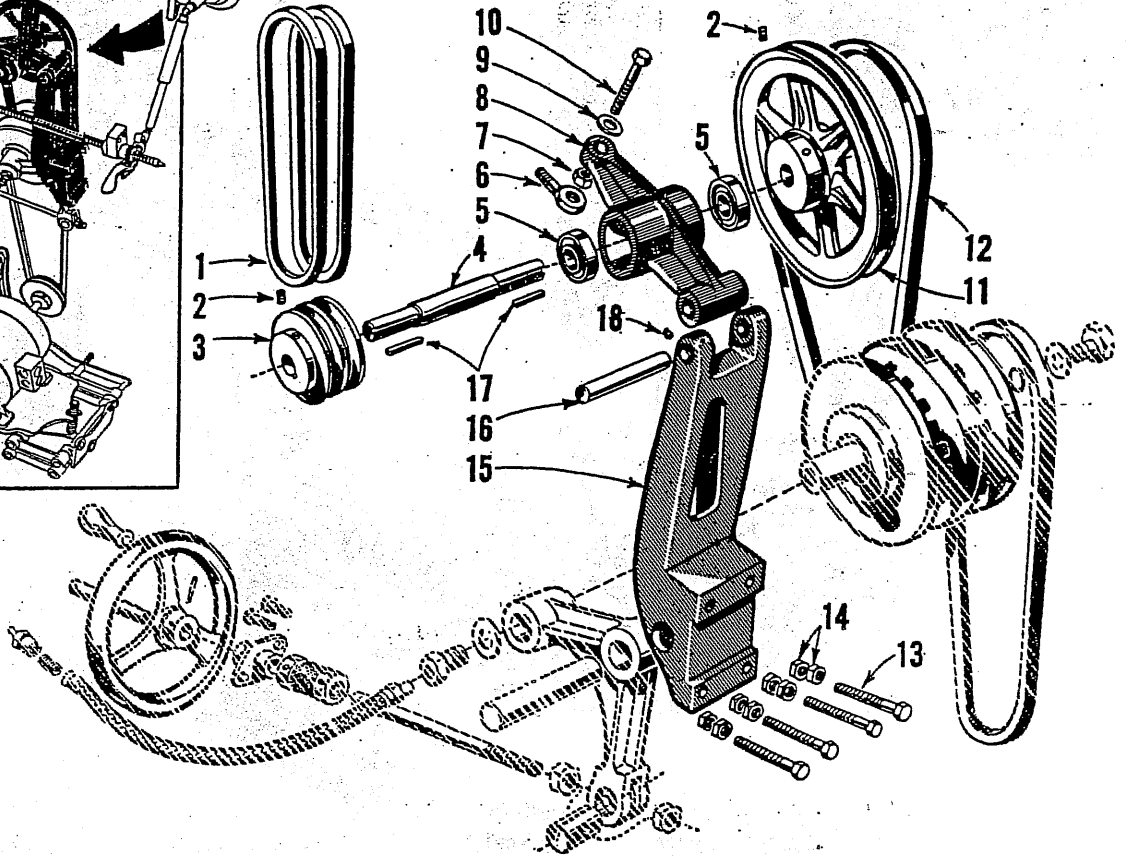


ELEVATING SCREW ASSEMBLY

REF. No.	PART No.	QUAN.	DESCRIPTION	PRICE
1	A-1950	1	Machine Handle	\$.35
2	1005	1	Handwheel	3.00
3	A-817	1	Taper Pin10
4	A-646	1	Socket Head Set Screw.....	.10
5	1012	1	Dial Sleeve	7.50
6	1012-1	1	Dial	8.00
7	A-1112	1	Dial Spring10
8	3037	1	Dial Shim50
9	1012-3	1	Dial Snap Ring10
10	3005	1	Elevating Shaft Housing	7.50
11	3005-1	1	Elevating Shaft	2.00
12	A-1111	2	Thrust Bearing35
13	A-812	2	Taper Pin10
14	A-1960	1	Miter Gear	2.10
15	A-1960	1	Miter Gear	2.10
16	3017-2	1	Vertical Screw Thrust Plate.....	2.50
17	A-316	2	Fillister Head Cap Screw.....	.10
18	A-1131	1	Thrust Bearing90
19	3017	1	Vertical Screw	10.00
20	A-347	2	Hex. Head Cap Screw.....	.10
21	3017-1	1	Vertical Screw Nut	7.50
22	A-1029	1	Grease Fitting25
23	3017-4	1	Vertical Nut Gasket.....	.20

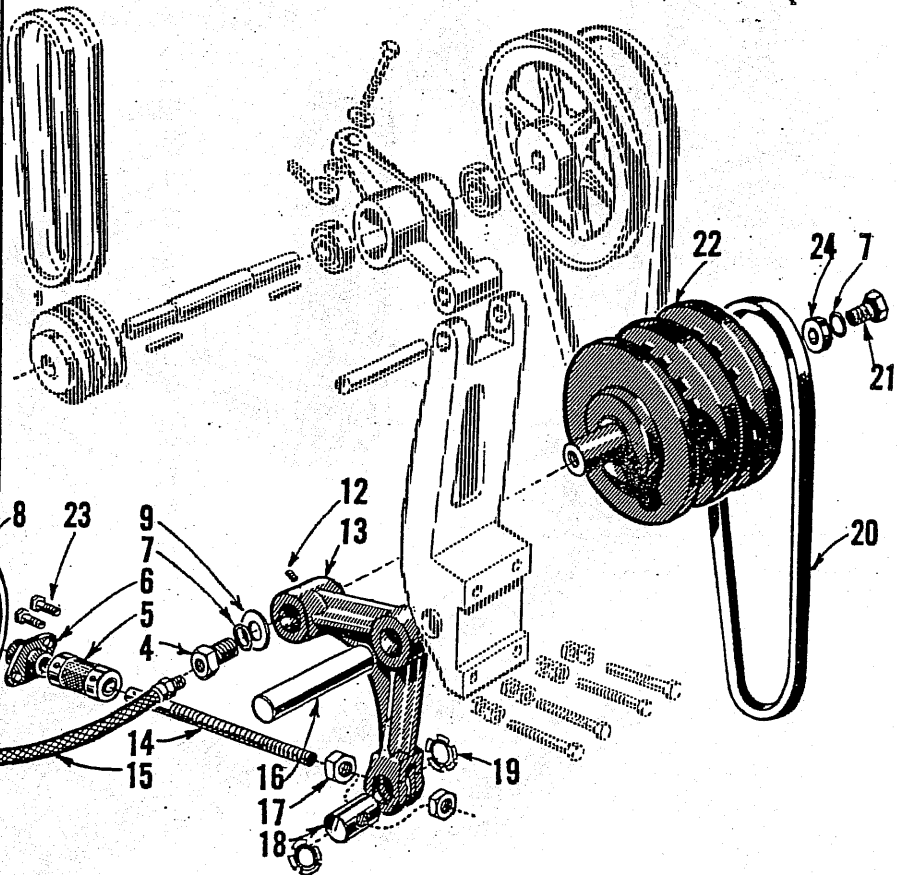
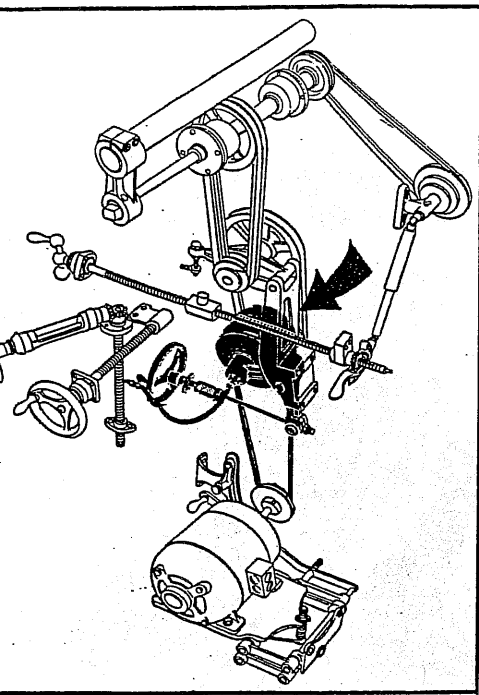


VARIABLE DRIVE (ASSEMBLY "A")

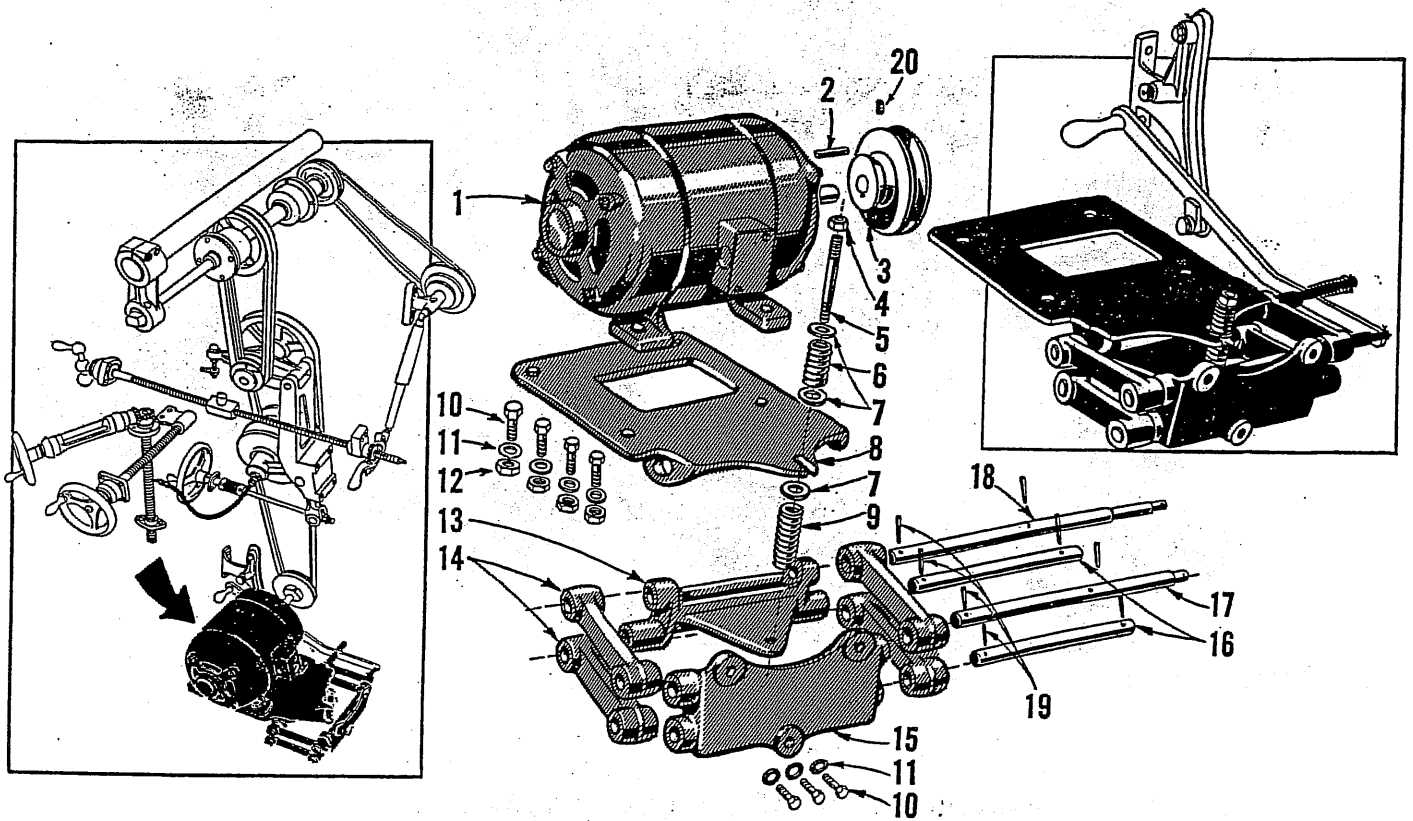


REF. No.	PART No.	QUAN.	DESCRIPTION	PRICE
1	A-1566	2	"V" Belt	\$ 1.60
2	A-638	2	Socket Head Set Screw.....	.10
3	3113	1	Countershaft Double Pulley.....	6.00
4	3111	1	Countershaft	2.75
5	A-1132	2	Countershaft Ball Bearing	2.05
6	3023-1	1	Eye Bolt75
7	A-100	1	Jam Nut10
8	3114C	1	Countershaft Adjusting Bracket	8.00
9	A-201	1	Washer10
10	3023	1	Countershaft Adjusting Bracket Screw.....	.15
11	3112	1	Countershaft Single Pulley	4.25
12	A-1568	1	"V" Belt	1.90
13	A-436	4	Hex. Head Cap Screw.....	.10
14	A-801	8	Jam Nut10
15	3104	1	Pivot Bracket	12.50
16	3115	1	Pivot Bracket Shaft	1.00
17	3111-1	2	Countershaft Key10

VARIABLE DRIVE (ASSEMBLY "B")

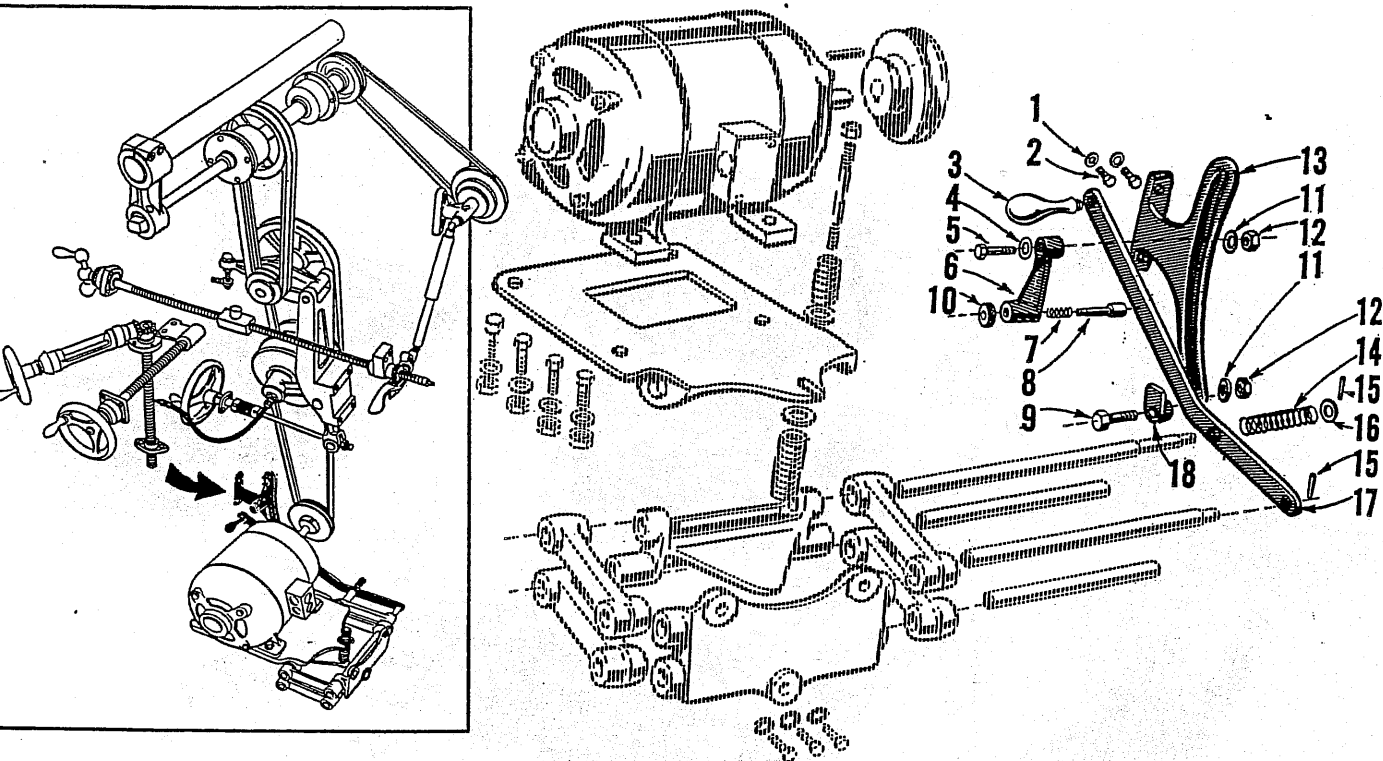


REF. No.	PART No.	QUAN.	DESCRIPTION	PRICE
1	3108	1	Handwheel Shaft	\$ 1.00
2	A-1026	1	Grease Fitting20
3	A-1982	1	Nipple15
4	AA-301-D	1	Hex. Head Cap Screw.....	.35
5	A-1962	1	Flexible Coupling95
6	3109-1	1	Handwheel Flange	1.75
7	A-236	2	Washer15
8	A-817	1	Taper Pin10
9	A-211	1	Washer10
10	1006	1	Handwheel	3.50
11	A-1950	1	Machine Handle35
12	A-639	1	Set Screw10
13	3102	1	Variable Drive Crank	7.50
14	3107	1	Variable Drive Screw	3.50
15	3106-1	1	Variable Drive Grease Assembly.....	4.25
16	3103	1	Variable Drive Pivot Shaft.....	1.50
17	3110	2	Stop Nut for Adjusting Screw.....	.15
18	3105	1	Variable Drive Screw Pivot.....	2.50
19	A-1112	2	Spring15
20	A-1567	1	"V" Belt	1.96
21	AA-301	1	Cap Screw10
22	A-1510	1	Variable Speed Pulley Assembly.....	30.00
23	A-303	2	Hex. Head Cap Screw.....	.10
24	3110-2	1	Spacer25



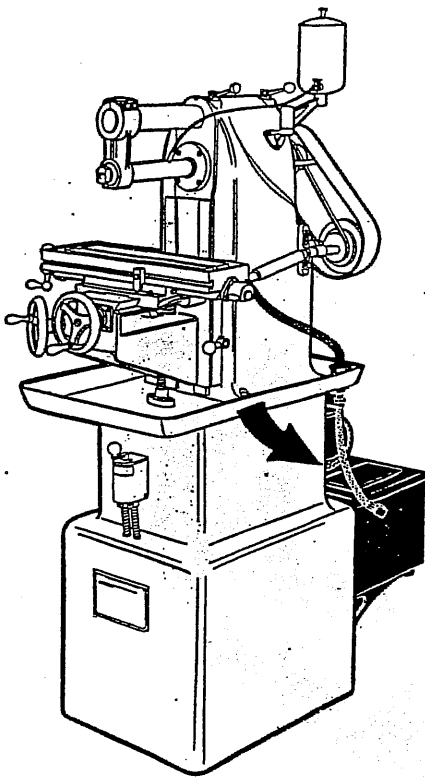
MOTOR BASE ASSEMBLY

REF. No.	PART No.	QUAN.	DESCRIPTION	PRICE
1	See catalog and price sheet for motors			
2	A-1605-1	1	Motor Key	\$.15
3	3130	1	Motor Pulley	7.75
4	A-102	1	Nut10
5	3124	1	Motor Toggle Arm Stud.....	.75
6	3127	1	Motor Balance Spring (Short).....	.20
7	A-225	3	Washer10
8	3117	1	Motor Base	6.50
9	3126	1	Motor Balance Spring (Long).....	.25
10	A-347	7	Hex. Head Cap Screw.....	.10
11	A-220	7	Washer10
12	A-103	4	Nut10
13	3120	1	Motor Toggle Bracket	4.75
14	3119	4	Motor Toggle Arm	2.80
15	3125	1	Motor Anchor Bracket	3.50
16	3123	2	Motor Toggle Arm Shaft.....	.50
17	3128	1	Motor Control Anchor Shaft.....	.75
18	3122	1	Motor Control Lever Shaft.....	1.00
19	A-812	8	Taper Pin10

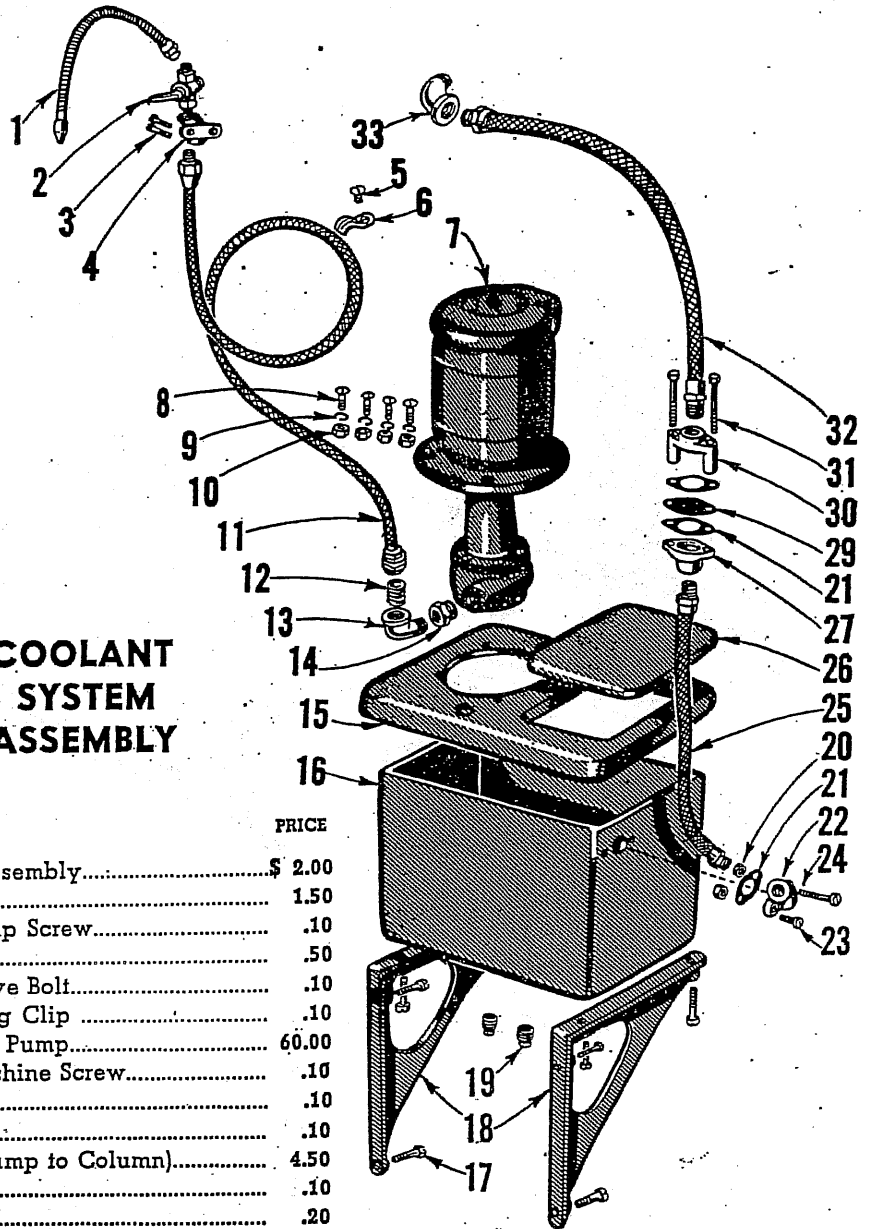


MOTOR CONTROL LEVER ASSEMBLY

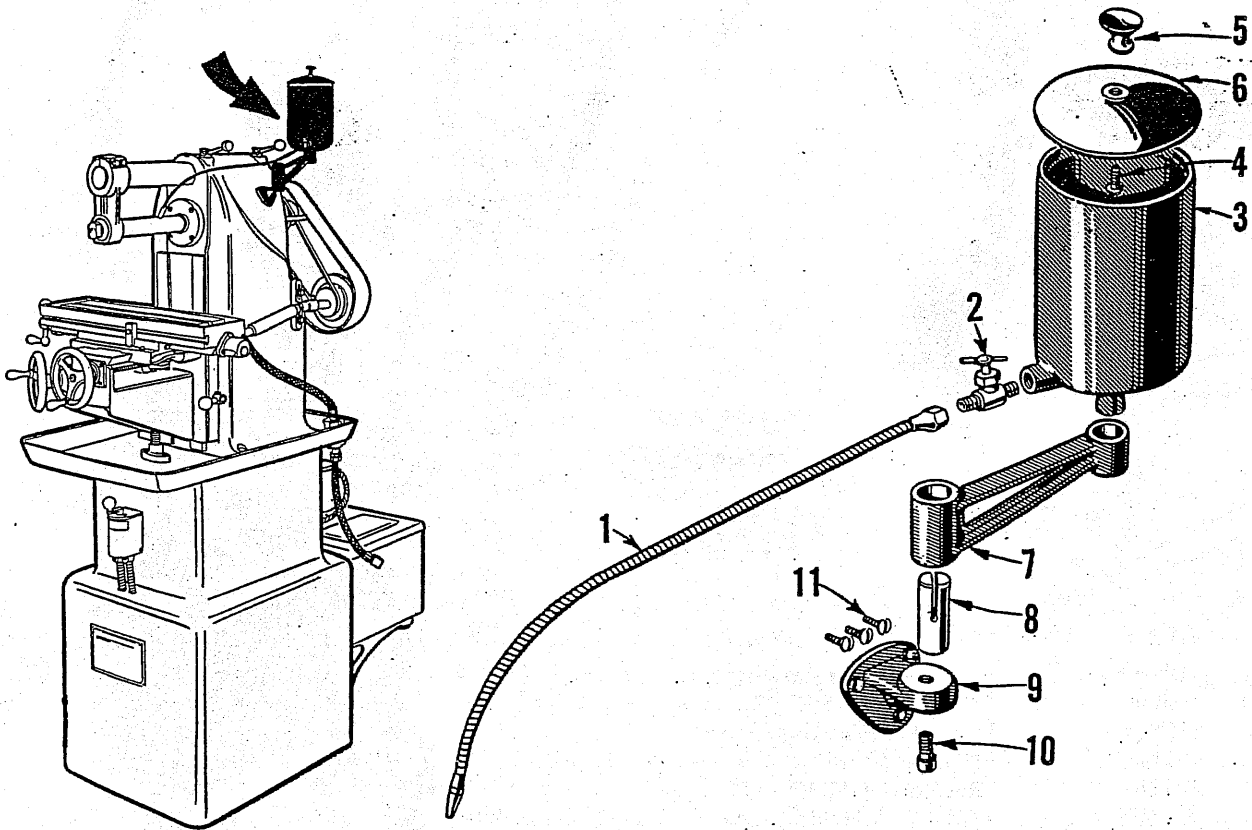
REF. No.	PART No.	QUAN.	DESCRIPTION	PRICE
1	A-220	2	Washer	\$.10
2	A-347	2	Hex. Head Cap Screw.....	.10
3	A-1959	1	Machine Handle35
4	A-220	1	Washer10
5	A-349	1	Hex. Head Cap Screw.....	.10
6	3131-2	1	Motor Lever Quadrant Stop (Upper).....	2.25
7	3131-5	1	Stop Spring15
8	3131-4D	1	Stop Pin10
9	A-349	1	Hex. Head Cap Screw.....	.10
10	3131-6	1	Knob50
11	A-220	2	Washer10
12	A-103	2	Nut10
13	3131-1D	1	Motor Lever Quadrant	2.00
14	3132	1	Motor Control Lever Spring.....	.15
15	A-706	2	Pin10
16	A-221	1	Washer10
17	3121	1	Motor Control Lever	1.75
18	3131-3	1	Motor Lever Quadrant Stop (Lower).....	1.50



COOLANT SYSTEM ASSEMBLY



REF. No.	PART No.	QUAN.	DESCRIPTION	PRICE
1	9015-12	1	Flexible Tube Assembly.....	\$ 2.00
2	A-1922	1	Shut Off Cock	1.50
3	A-308	2	Fillister Head Cap Screw.....	.10
4	9015-15	1	Pipe Reducer50
5	A-394	1	Round Head Stove Bolt.....	.10
6	A-1992	1	Tubing Attaching Clip10
7	A-1918	1	1/10 HP Coolant Pump.....	60.00
8	A-363	4	Round Head Machine Screw.....	.10
9	A-214	4	Lock Washer10
10	A-105	4	Hex. Full Nut10
11	9015-9	1	Coolant Hose (Pump to Column).....	4.50
12	A-1984	1	Close Nipple10
13	A-1920K	1	Street Elbow20
14	A-1919X	1	Reducing Bushing15
15	9015-1	1	Coolant Tank Cover.....	4.50
16	9015-3	1	Coolant Tank	12.50
17	A-390	8	Socket Head Cap Screw.....	.10
18	9015-4	2	Bracket for Coolant Tank.....	1.50
19	A-1946	2	Plug20
20	A-128	2	Hex. Full Nut10
21	9015-13	2	Gasket20
22	9015-7	1	Elbow50
23	A-392	1	Fillister Head Machine Screw.....	.10
24	A-393	1	Fillister Head Machine Screw.....	.10
25	9015-8	1	Coolant Hose (Pan to Tank).....	2.75
26	9015-2	1	Hand Hole Cover	1.00
27	9015-5	1	Pan Drain Fitting (Lower)50
28			Not listed	
29	9515-14	1	Strainer25
30	9015-6	1	Pan Drain Fitting (Upper).....	.50
31	A-391	2	Hex. Head Cap Screw.....	.10
32	9015-10	1	Coolant Hose (Table to Pan).....	3.75
33	A-1920	1	Street Elbow20



DRIP POT ASSEMBLY

REF. No.	PART No.	QUAN.	DESCRIPTION	PRICE
1	9015-12	1	Flexible Tube Assembly	\$2.00
2	A-1922	1	Shut Off Cock	1.75
3	9014-1	1	Drip Pot	7.50
4	A-398	1	Washer Head Screw10
5	A-1931	1	Knob25
6	9014-2	1	Cover	1.25
7	9014-3	1	Arm	3.50
8	9014-4	1	Bearing	1.00
9	9014-5	1	Anchor Bracket	1.50
10	A-397	1	Socket Head Cap Screw.....	.10
11	A-399	3	Oval Head Machine Screw.....	.10